



Arik Levy designed *Tea Time*, a modular sofa system where dynamism and rationality are the distinctive elements. *Tea Time* does not impose defined, pre-constructed volumes. It "reads" the room dynamically, expressing itself fully through the realm of modular possibilities. Different sized seats arranged together produce free compositions or completed sofas.

Finishes

cover
fabric, leather

feet finishes
shiny chrome
black chrome

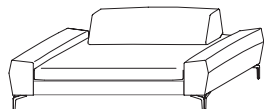
Technical information

Structure interior	Frame made of solid fir (<i>Picea abies</i>) and chipboard, with elastic straps.
Structure padding	High capacity variable density foam polyurethane. Light velvet cover.
Seat cushions	Insert in shaped polyurethane and sterilised feathers. 100% cotton cover.
Additional cushions	100% polyester fibre. 100% cotton cover.
Feet	Chrome plated pressure diecast aluminium with floor slides in non-slip plastic material.
Removable outer covers	(See attached card, specific for each cover).

Elements

sofa

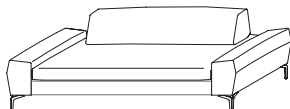
W 2000 D 960 H 740
W 78 3/4" D 37 3/4" H 29 1/8"
back W 1200 - 47 1/4"



D200

sofa

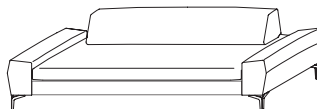
W 2300 D 960 H 740
W 90 1/2" D 37 3/4" H 29 1/8"
back W 1500 - 59"



D230

sofa

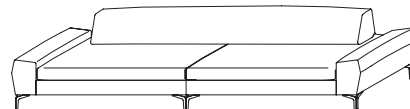
W 2600 D 960 H 740
W 102 3/4" D 37 3/4" H 29 1/8"
back W 1800 - 70 7/8"



D260

sofa

W 3500 D 960 H 740
W 137 3/4" D 37 3/4" H 29 1/8"
back W 2700 - 106 1/4"



D1

island element

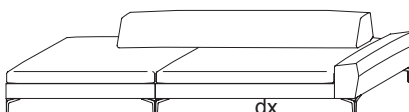
W 3250 D 960 H 740
W 128" D 37 3/4" H 29 1/8"
single back W 2100 - 82 3/4"



IS2 dx-sx

island element

W 3550 D 960 H 740
W 139 3/4" D 37 3/4" H 29 1/8"
single back W 2400 - 94 1/2"



IS3 dx-sx

pouf

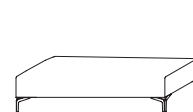
W 1200 D 1200 H 380
W 47 1/4" D 47 1/4" H 15"



PF120

pouf

W 1500 D 600 H 380
W 59" D 23 5/8" H 15"



PF150



CT50

additional cushion
W 500 H 500
W 19 3/4" H 19 3/4"



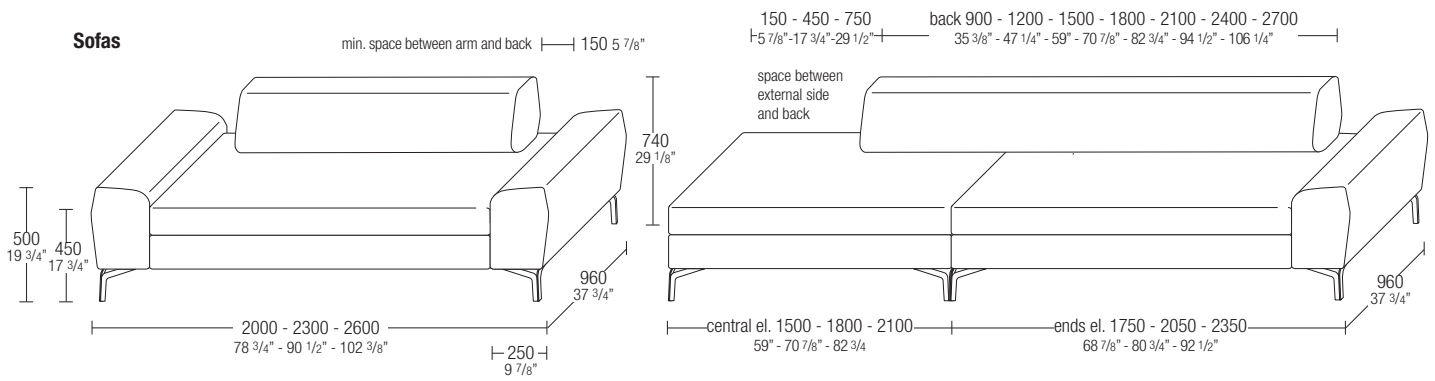
CT40

additional cushion
W 500 H 400
W 19 3/4" H 15 3/4"

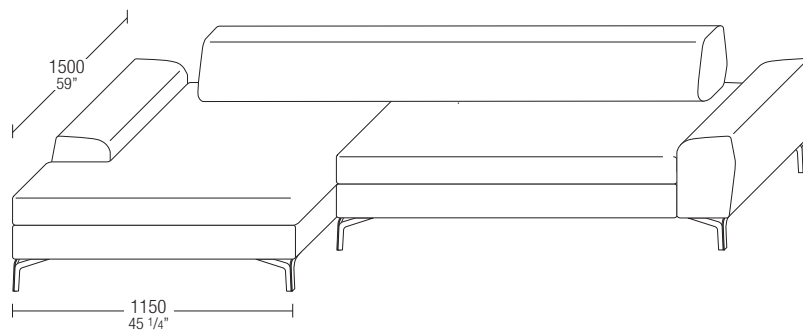
Molteni & C

■ Dimensions

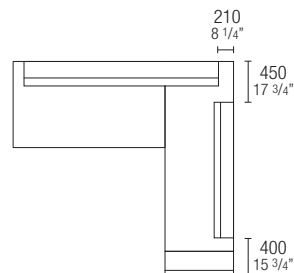
Sofas



Chaise longue



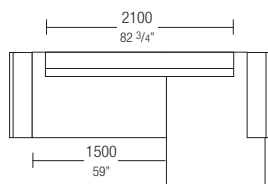
Ends



■ Compositions

composition

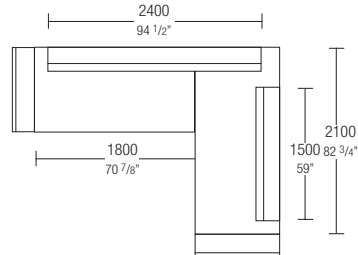
W 2900 D 1500 W 114 1/8" D 59"



LB7 dx-sx

composition

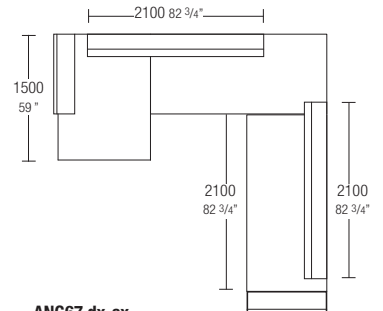
W 3010 D 2350 W 118 1/2" D 92 1/2"



TBB45 dx-sx

composition

W 3250 D 1500/3310 W 128" D 59"/ 130 3/8"



ANG67 dx-sx